

Features

- 2" x 6" sightline, interior partition framing
- Flush glazed, center plane glass application
- Screw spline fabrication
- 1/8", 1/4", and 3/8" infill options
- Permanodic™ anodized finishes in seven choices
- Painted finishes in standard and custom choices

Product Applications

- Interior framing system
- Integrated entrance framing allowing Kawneer standard entrances or other specialty entrances to be incorporated

For specific product applications,
Consult your Kawneer representative.

Laws and building and safety codes governing the design and use of glazed entrance, window, and curtain wall products vary widely. Kawneer does not control the selection of product configurations, operating hardware, or glazing materials, and assumes no responsibility therefor.

Kawneer reserves the right to change configuration without prior notice when deemed necessary for product improvement.
© Kawneer Company, Inc., 2014

Laws and building and safety codes governing the design and use of glazed entrance, window, and curtain wall products vary widely. Kawneer does not control the selection of product configurations, operating hardware, or glazing materials, and assumes no responsibility therefor.

Kawneer reserves the right to change configuration without prior notice when deemed necessary for product improvement.

© Kawneer Company, Inc., 2014

Architects - Most extrusion and window types illustrated in this catalog are standard products for Kawneer. These concepts have been expanded and modified to afford you design freedom. Some miscellaneous details are non-standard and are intended to demonstrate how the system can be modified to expand design flexibility. Please contact your Kawneer representative for further assistance.

BASIC FRAMING MEMBERS 4
ENTRANCE FRAMING..... 5 - 6
MISCELLANEOUS FRAMING..... 7

LAWS AND BUILDING AND SAFETY CODES GOVERNING THE DESIGN AND USE OF GLAZED ENTRANCE, WINDOW, AND CURTAIN WALL PRODUCTS VARY WIDELY. KAWNEER DOES NOT CONTROL THE SELECTION OF PRODUCT CONFIGURATIONS, OPERATING HARDWARE, OR GLAZING MATERIALS, AND ASSUMES NO RESPONSIBILITY THEREFOR.

Metric (SI) conversion figures are included throughout these details for reference. Numbers in parentheses () are millimeters unless otherwise noted.

The following metric (SI) units are found in these details:

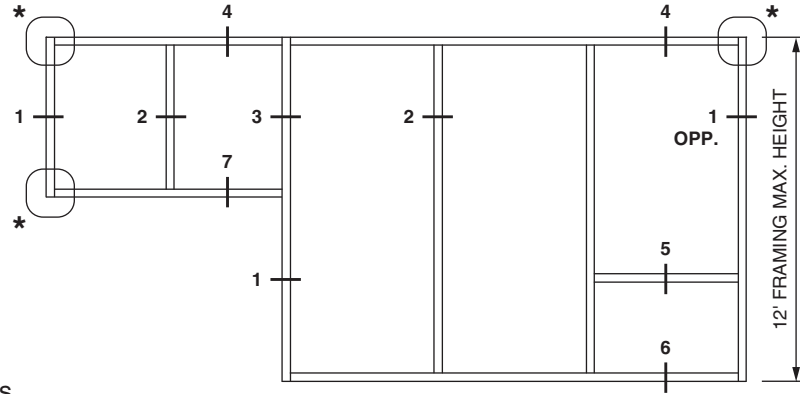
- m – meter
- cm – centimeter
- mm – millimeter
- s – second
- Pa – pascal
- MPa – megapascal

Kawneer reserves the right to change configurations without prior notice when deemed necessary for product improvement.

Laws and building and safety codes governing the design and use of glazed entrance, window, and curtain wall products vary widely. Kawneer does not control the selection of product configurations, operating hardware, or glazing materials, and assumes no responsibility therefor.

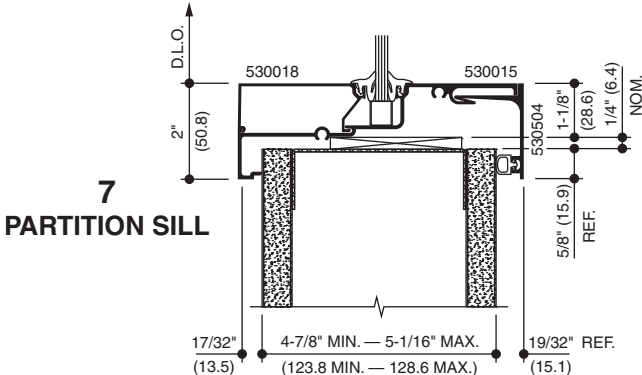
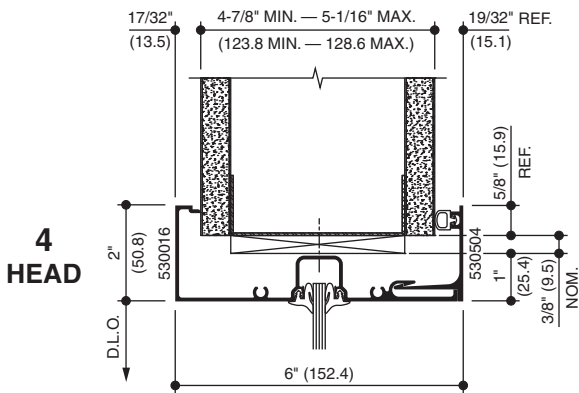
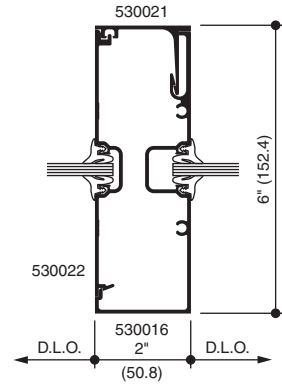
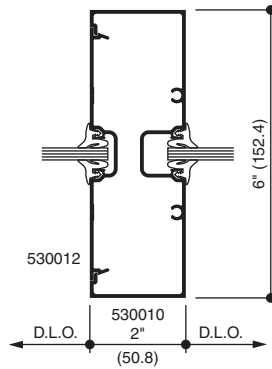
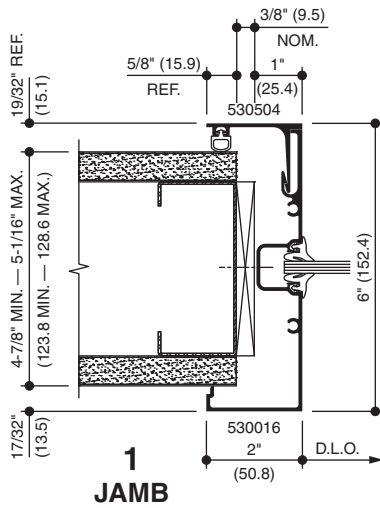
Kawneer reserves the right to change configuration without prior notice when deemed necessary for product improvement.
© Kawneer Company, Inc., 2014

SCALE 3" = 1'-0"



* **Note:**
530504 snap-in stop
with gasket can be
mitered at these corners.

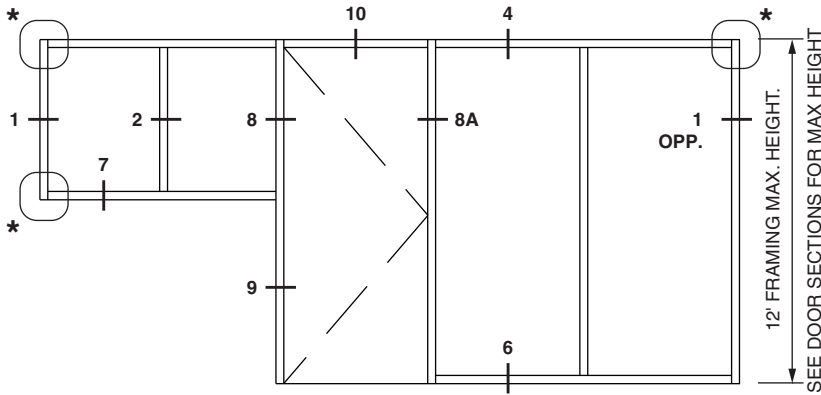
ELEVATION IS NUMBER KEYED TO DETAILS



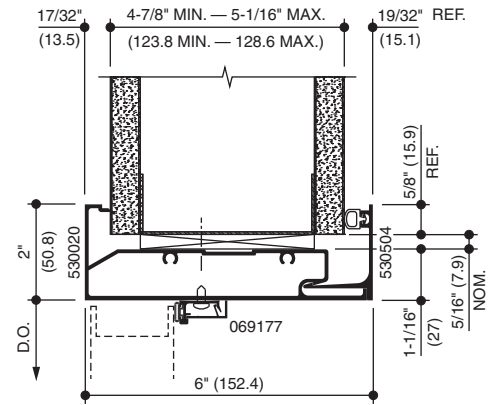
Laws and building and safety codes governing the design and use of glazed entrance, window, and curtain wall products vary widely. Kawneer does not control the selection of product configurations, operating hardware, or glazing materials, and assumes no responsibility therefor.

Kawneer reserves the right to change configuration without prior notice when deemed necessary for product improvement.
© Kawneer Company, Inc., 2014

SCALE 3" = 1'-0"

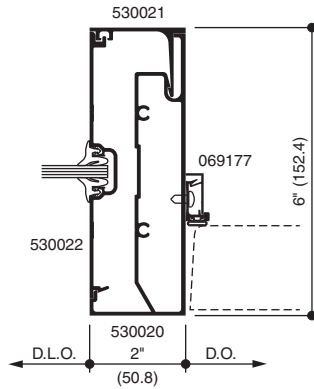


ELEVATIONS ARE NUMBER KEYED TO DETAILS

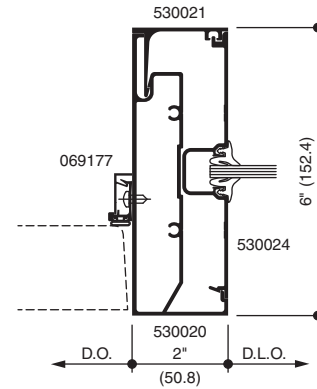


10
HEAD AT DOOR

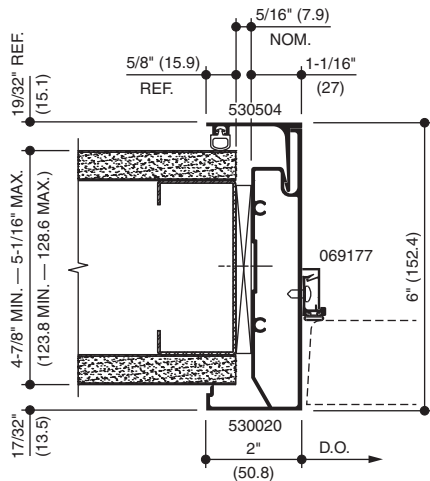
* **Note:**
530504 snap-in stop with gasket can be mitered at these corners.



8
DOOR JAMB



8A
DOOR JAMB



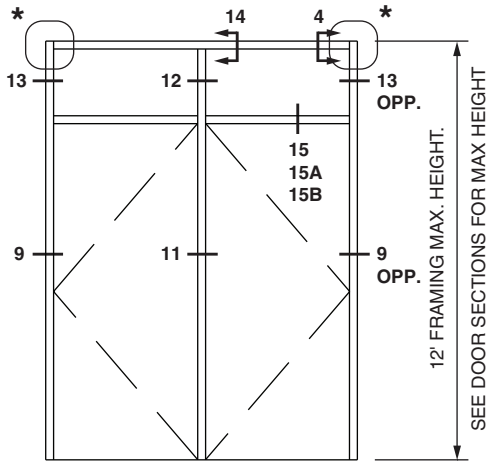
9
DOOR JAMB

Laws and building and safety codes governing the design and use of glazed entrance, window, and curtain wall products vary widely. Kawneer does not control the selection of product configurations, operating hardware, or glazing materials, and assumes no responsibility therefor.

Kawneer reserves the right to change configuration without prior notice when deemed necessary for product improvement.

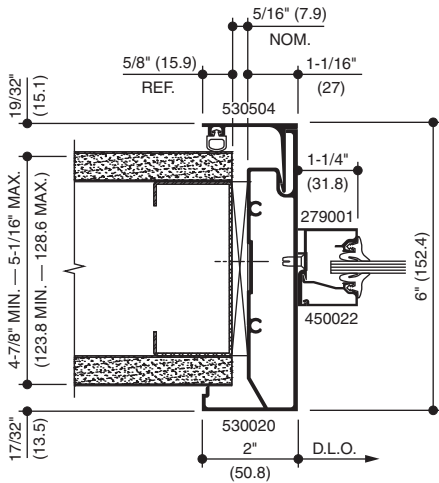
© Kawneer Company, Inc., 2014

SCALE 3" = 1'-0"

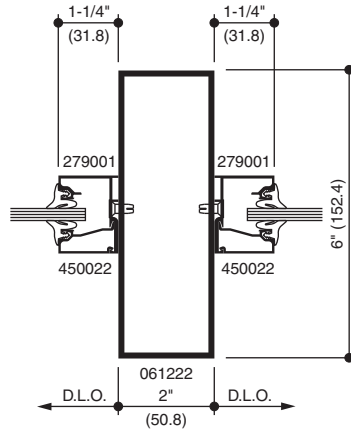


ELEVATION IS NUMBER KEYED TO DETAILS

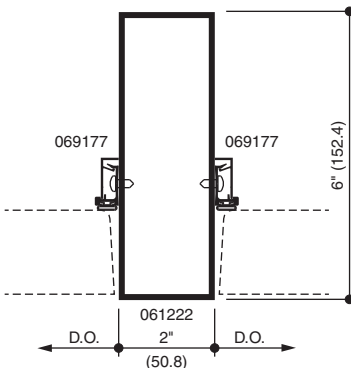
*** Note:**
530504 snap-in stop with gasket can be mitered at these corners.



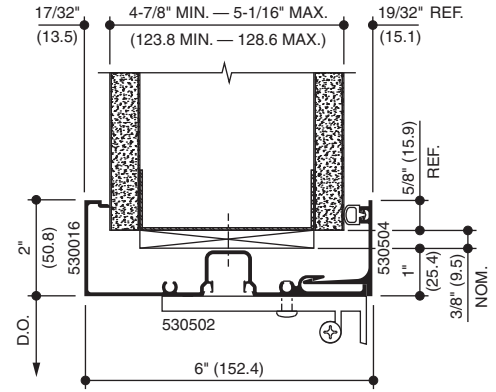
13
TRANSOM JAMB



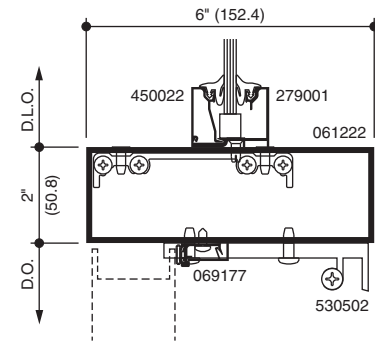
12
COMMON STRIKE JAMB
ABOVE TRANSOM



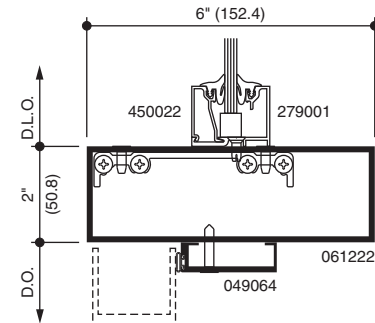
11
COMMON STRIKE JAMB
(OFFSET PIVOT ONLY)



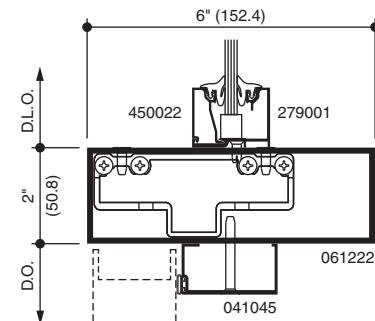
14
HEAD / TRANSOM AT
COMMON STRIKE JAMB



15
TRANSOM BAR WITH C.O.C.
OR STD. SURFACE CLOSER



15A
ALTERNATE BAR WITH C.O.C.
FOR L.C.N. CLOSER

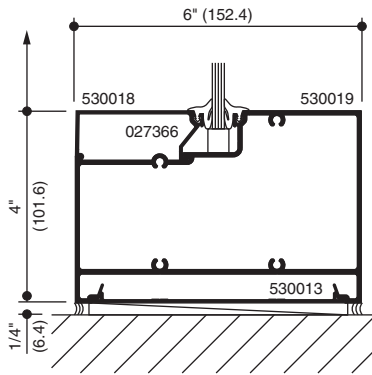


15B
ALTERNATE TRANSOM BAR WITH
C.O.C. FOR STD. KAWNEER CLOSER

Laws and building and safety codes governing the design and use of glazed entrance, window, and curtain wall products vary widely. Kawneer does not control the selection of product configurations, operating hardware, or glazing materials, and assumes no responsibility therefor.

Kawneer reserves the right to change configuration without prior notice when deemed necessary for product improvement.

© Kawneer Company, Inc., 2014



ALTERNATE HEIGHT SILL

Laws and building and safety codes governing the design and use of glazed entrance, window, and curtain wall products vary widely. Kawneer does not control the selection of product configurations, operating hardware, or glazing materials, and assumes no responsibility therefor.

Kawneer reserves the right to change configuration without prior notice when deemed necessary for product improvement.

© Kawneer Company, Inc., 2014

Laws and building and safety codes governing the design and use of glazed entrance, window, and curtain wall products vary widely. Kawneer does not control the selection of product configurations, operating hardware, or glazing materials, and assumes no responsibility therefor.

Kawneer reserves the right to change configuration without prior notice when deemed necessary for product improvement.

© Kawneer Company, Inc., 2014